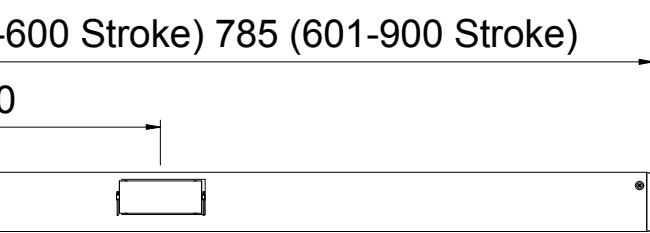
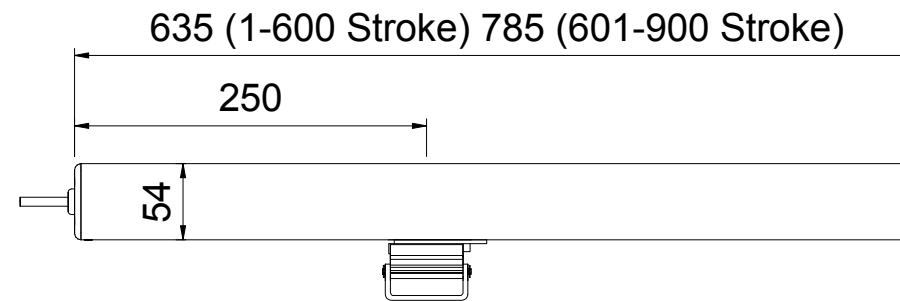


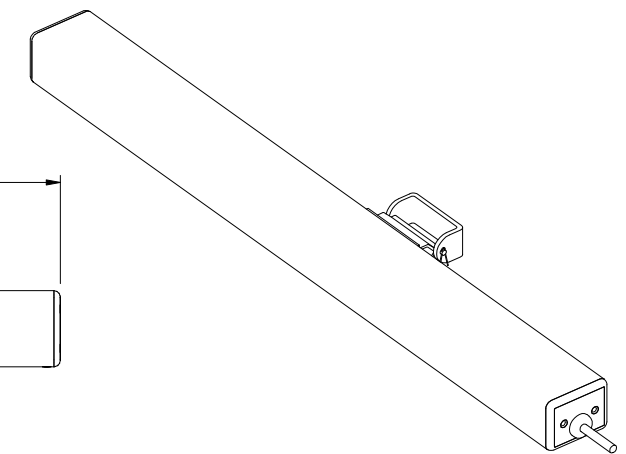
**02 SideView**  
1 : 5



**03 Front View**  
1 : 5




**04 Top View**  
1 : 5



**01 3D View**

Electronic Twin Chain Actuator		
Item	Description	Finish Option
KWAC-SE/SECO/S/NI2440	SE Controls SECO 'NI' Electronic Single Chain Actuator for Smoke and Environmental Ventilation Applications. 24vDC	Powder Coated RAL9006 (Grey). Other RAL colours available on request

Rev	Date	Description	Initial
Title : KWAC-SE/SECO/S/NI2440			
Contract : KCC Architectural			
Scales are as shown, original drawing size A3			
		Creator : Shelly	
		Checked by : Sohraab	
		Scale : N.T.S	
		First issue : 26-07-2019	
		Project No :	
DRG No :		Rev	A